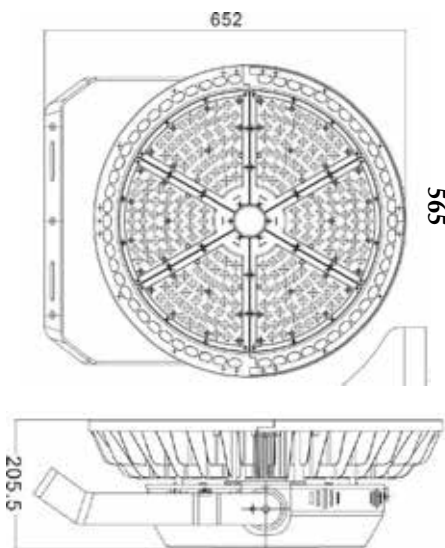


Product Overview



Dimensions



Features

Optics:

Lights have available 15°, 30° and 60° optics in PC acrylic. Lens is separated into 8 different sections to ensure proper flood of area. 146mm Dark Sky / Anti-glare shield included with each fixture.

Electrical:

Expected Life: LED light engines are rated at >100,000 hours at 25°C, L70. Driver has expected life of 100,000 hours at 25°C ambient. Lower energy consumption, saves an estimated 40-60% over HID. Robust Surge Protection: Provides a minimum of IEEE C62.41 10kV/5kA protection. Each fixture is equip with wire leads for quick conneciton. Lumiled 3030 chips with Sosen Driver.

Mechanical:

Each light comes equipt with a rugged die-cast housing which is polyester powder-coated for durability and corrosion resistance. Each light comes equipt with a strudy pivot bracket, impact & vibration resistance rating: IK08. IP66 rated.

Controls:

Bluetooth and wireless controls available for off-site monitoring, efficient lighting controls, scheduled on/off, light usage monitoring, power consumption etc.

Standards

- Rated for -40°C ~ 50°C
- CRI > 70
- Lumileds 3030
- Sosen Driver
- 100-277V or 200-480V 50-60HZ Power Factor > 0.9
- Packing: 17kg - 685*615*245mm

Applications:

- Stadium
- Large Parking
- Storage Lot
- Light Tower

Project _____

Location _____

Part Number _____

Type _____

Qty _____

Notes _____

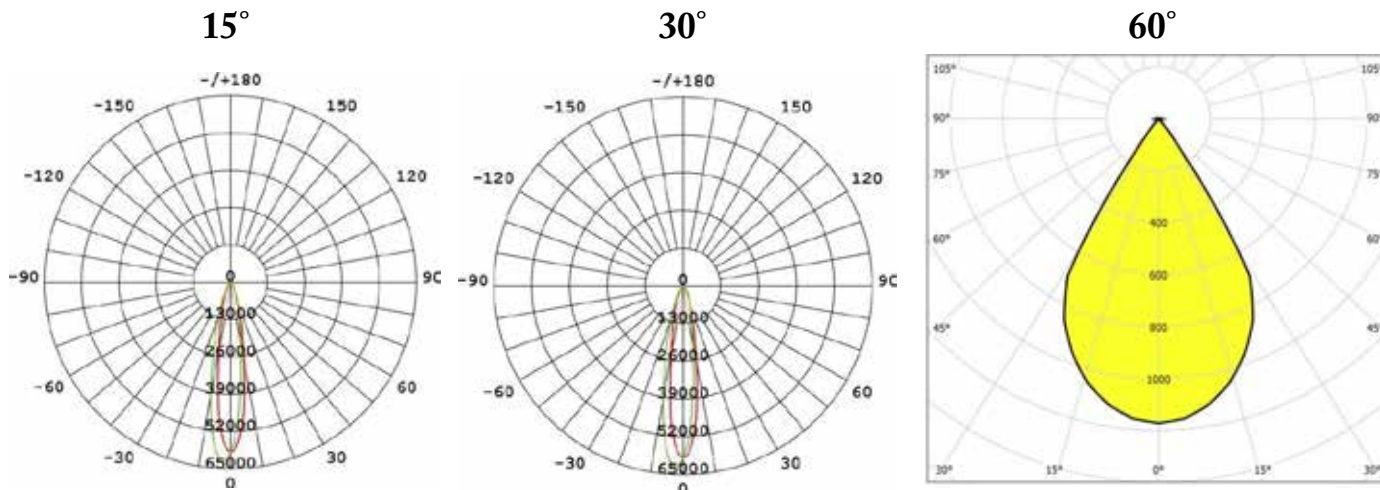
Ordering Information

Ordering Guide

Example: STA-600-UNIV-130-5K-0/10-8M-BK-30

Product Class	Wattage	Voltage	Lumen Per Watt	LED Color	Driver Dimming	Controls	Finish	Optics	Optional
<input type="checkbox"/>	<input type="checkbox"/>	<input type="checkbox"/>	<input type="checkbox"/>	<input type="checkbox"/>	<input type="checkbox"/>	<input type="checkbox"/>	<input type="checkbox"/>	<input type="checkbox"/>	<input type="checkbox"/>
STA Stadium High Output Flood	300	UNIV 110-277VAC	130	3K 3000K	Non Non Dimming Driver	Non No con- trols	BK Black GR Grey	15	SLP Slip Fitter Bracket
	600	HV 200-480VAC		4K 4000K				30	
	800			5K 5000K				60	
				57K 5700K	0/10 0-10v Dimming	8M 8Mesh integrated controls			

Light Distribution



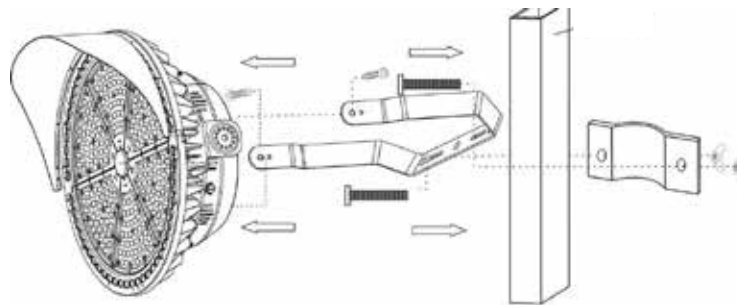
Performance

Watts	Optics	5000K CCT		LLD @ 25°C		
		Delivered Lumens	Efficacy (LPW)	50k Hours	75k Hours	100k Hours
300	15	39,598	132	.999	.993	.986
	30	39,300	131	.999	.993	.986
	60	39,298	131	.999	.993	.986
600	15	77,992	130	.998	.993	.991
	30	77,399	129	.998	.993	.991
	60	77,404	129	.998	.993	.991
800	15	103,201	129	.98	.971	.964
	30	103,994	130	.98	.971	.964
	60	103,187	129	.98	.971	.964

NOTE: Information above is based on 5000k nominal system. Individual fixture performance may vary.

Stadium Flood LLD Multiplier	15°C	20°C	25°C	30°C	40°C
	1.02	1.01	1	.98	.95

To calculate the LLD for a temp other than 25°C, multiply the LLD @ 25°C by the LLD multiplier for the selected temp.



BRILLED
LIGHTING

Brilled Lighting 156 S 600 W, Logan, UT 84321
www.BrilledLighting.com
2019 Brilled Lighting, All Rights Reserved 1/19

Warranty 10 Year limited warranty. Complete warranty terms are located at: www.BrilledLighting.com
Actual performance may differ as a result of end user environment and application.
All values are design or typical values, measured under laboratory conditions at 25°C.
Specifications subject to change without notice.